

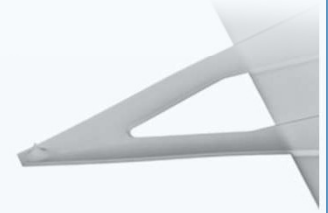
Provided with **TrueDimensions™**
Online access to key probe parameters for every individual tip



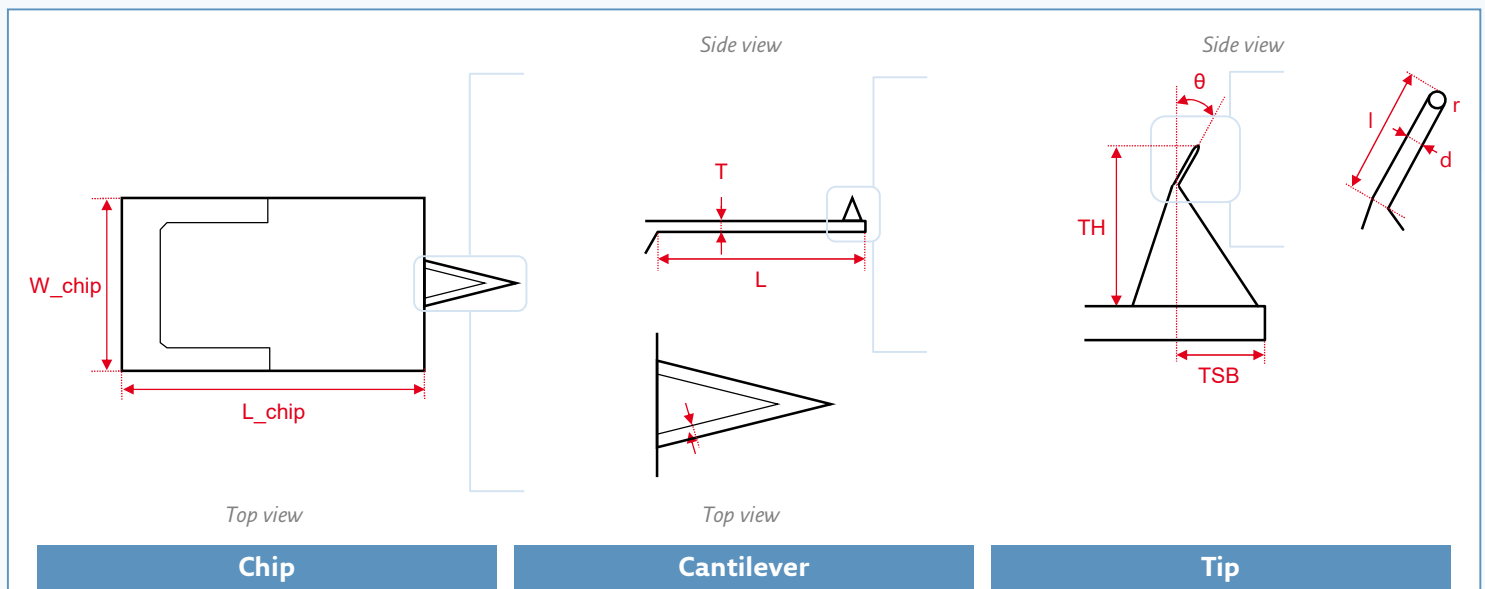
EBD-heartbeat-PRO **SuperSharp-heartbeat-PRO**

Part number	NT_EBD_v0030	NT_SSE_v0030
Tip		
Material	HDC/DLC	HDC/DLC
Sharpness / r	7 nm (6-7 nm)	2 nm (≤ 2 nm)
Total tip height / TH	7 μm (6-8 μm)	7 μm (6-8 μm)
Cantilever		
Material	Quartz	Quartz
Shape	Triangular	Triangular
Length / L	115 μm	115 μm
Width / W	25 μm	25 μm
Thickness / T	1.0 μm	1.0 μm
Force constant ^[1] / k	0.4 N/m	0.4 N/m
Resonance frequency ^[1] / f	60 kHz	60 kHz
Tip side coating	none	none
Back side coating	reflex	reflex
Chip		
Length / L_chip	3400 μm	3400 μm
Width / W_chip	1600 μm	1600 μm
Thickness / T_chip	315 μm	315 μm
Alignment grooves	yes	yes

- Consistent sharpness
- Carbon durability
- For Force-controlling / Assisted scanning modes



[1] Resonance frequency f extracted from LDV measurements; cantilever stiffness k calculated from the (measured) cantilever geometry. Actual values of >90% of all probes are guaranteed to be within the specified range.



For more information, visit www.nanotools.com

nanotools GmbH
Reichenbachstraße 33
D-80469 Munich
Phone +49 (0)89 12 11 38-0
info@nanotools.com



Serving the semiconductor industry since 1997



ISO 9001 certified quality